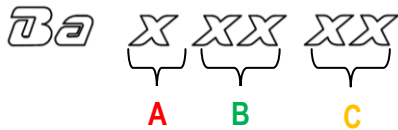
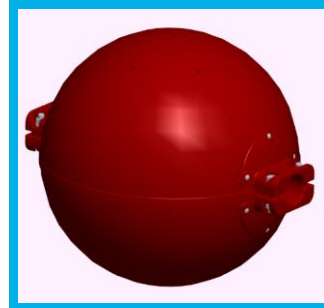


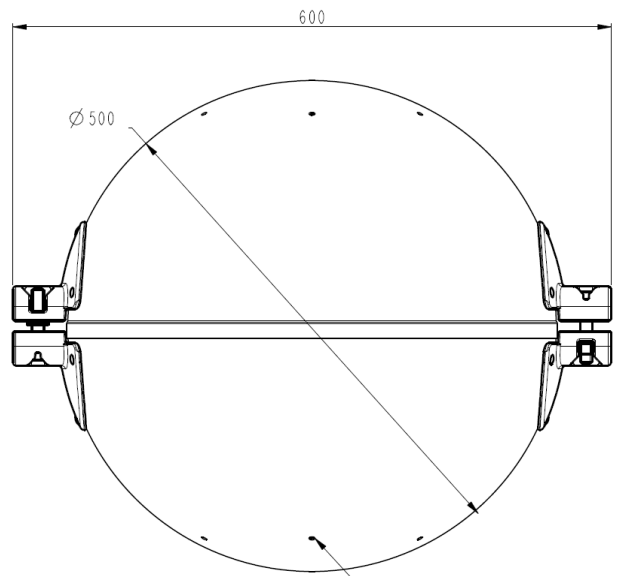
DAY MARKING ALUMINIUM

Used to signal electrical lines, marking BAx can be located either on phase conductors and earthwires
 Available in Ø 500mm and two colors: red and white.
 It is possible to combine ½ spheres of different colors.
 See the drawings for the installation.

Material	Aluminum alloy
Colors	Red, white
Fixing	6 M10 bolts galvanized steel (stainless steel on request)
Clamps	Aluminum alloy
Characteristics	Holes for water drainage
Dimension	See drawing
Weight	See table



- A :** Color red or white
- B :** Min clamp capacity
- C :** Max clamp capacity



7 holes for water drainage at each half sphere

Reference	Color	Ø Capacity		Weight Kg
		mini	maxi	
BA	R red	11	16	4,69
		15	20	4,695
		18	23	4,675
		22	27	4,635
	B white	28,5	32,5	4,595
		34,5	38,5	4,515
		40	45	4,435
		47,5	52,5	4,295
		55	60	4,135

